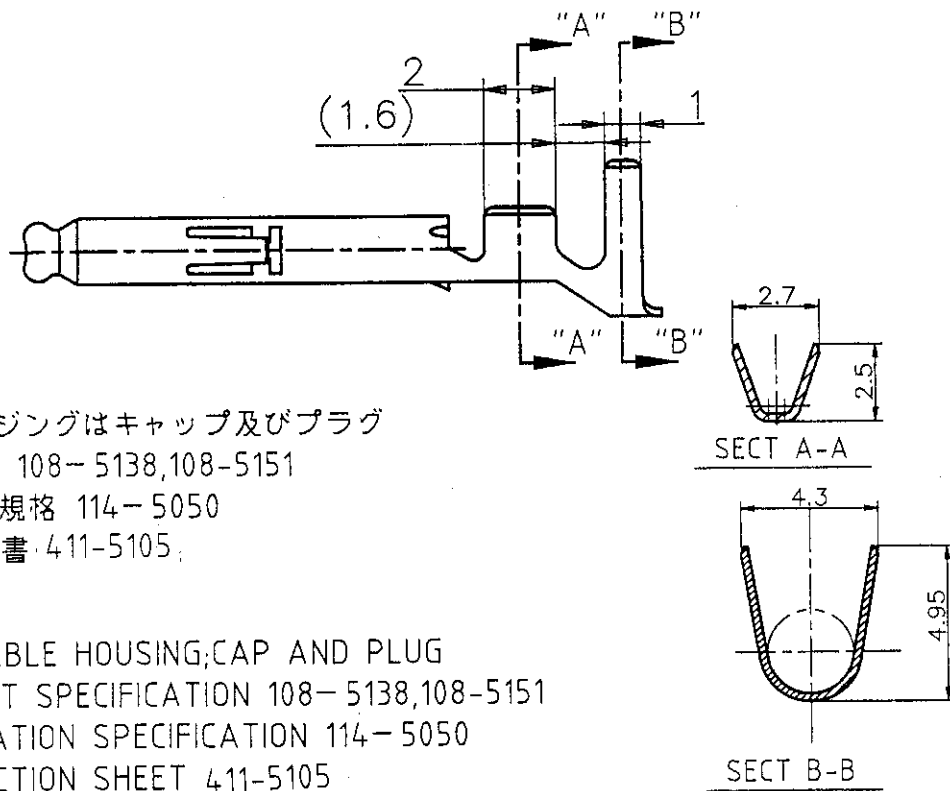
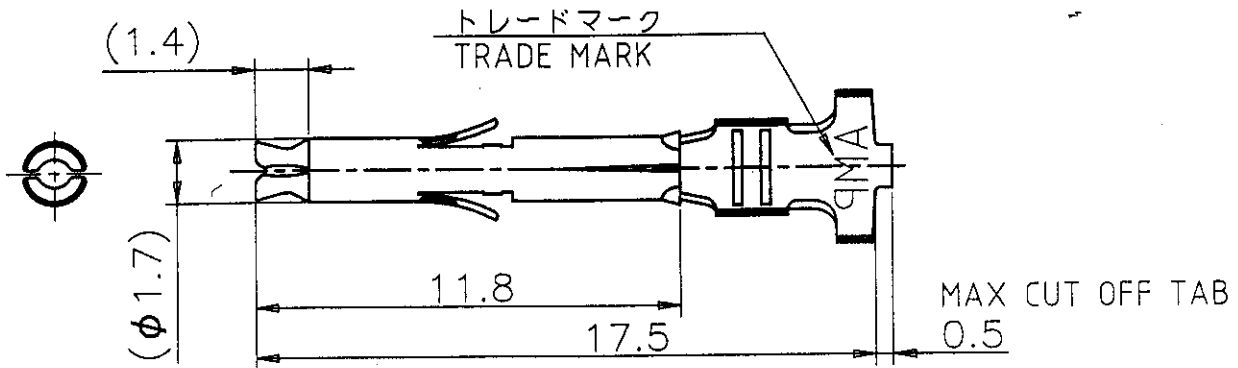


LOC	DIST	REVISIONS			
P	LTR	DESCRIPTION	DATE	DWN	APVD
B		REDRAWN	FJ00-0272-00	16 FEB. '00	A.D. NS



注記)

1. 使用ハウジングはキャップ及びプラグ
- △ 製品規格 108-5138, 108-5151
- △ 取付適用規格 114-5050
4. 取扱説明書 411-5105

NOTES)

1. APPLICABLE HOUSING; CAP AND PLUG
- △ PRODUCT SPECIFICATION 108-5138, 108-5151
- △ APPLICATION SPECIFICATION 114-5050
4. INSTRUCTION SHEET 411-5105

171639-1
型番 (PART NO.)

WIRE RANGE 適合電線断面積 0.5-1.3mm ² AWG #20-16	INSULATION DIA 被覆外形 2.0-3.2mm DIA 2.4mm DIA x 2
MATERIAL 材料 黄銅 (BRASS): 0.25t	FINISH 仕上 PRE-TIN

DIMENSIONS: 単位 MM	DWN A.D. 16 FEB '00
TOLERANCES UNLESS OTHERWISE SPECIFIED: 一般公差 ±0.3	CHK M.S. 16 FEB '00
ANGLES ±1°	APVD M.S. 16 FEB '00
	PRODUCT SPEC 製品規格 表参照 SEE TABLE 2
	APPLICATION SPEC 取付適用規格 表参照 SEE TABLE 3

AMP Tyco Electronics AMP K.K.
Kawasaki, Japan

NAME 名称 SOCKET (LOOSE PIECE)
MINI UNIVERSAL MATE-N-LOK

SIZE	CAGE CODE	DRAWING NO 番号	RESTRICTED TO
A4	00779	C=171639	

CUSTOMER DRAWING	SCALE 尺貫 5:1	SHEET 1 OF 1	REV B
------------------	--------------	--------------	-------

参考図面

THIS DRAWING IS UNPUBLISHED. BY AMP INCORPORATED. ALL RIGHTS RESERVED. 1996.